

For further hinge related products...

Visit www.rollingcentre.co.uk or call 0870 1166 776 to request the Rolling Centre Catalogue. We have over 60 different styles of hinges in stock as well as a wide variety of related products.

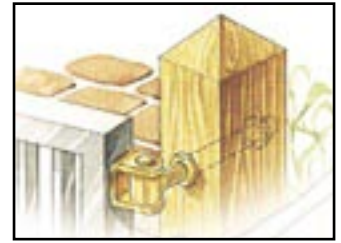
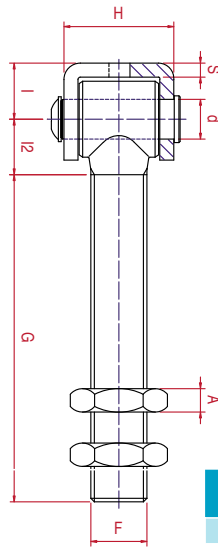


CODE	DESCRIPTION
7/01	Gate Hook, 12mm
7/02	Gate Hook, 16mm
7/03	Gate Hook, 20mm



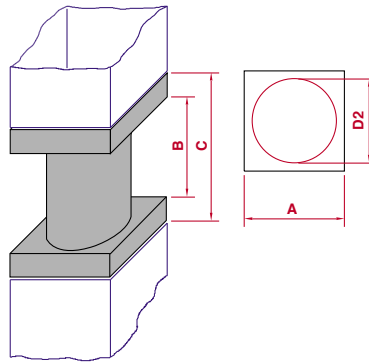
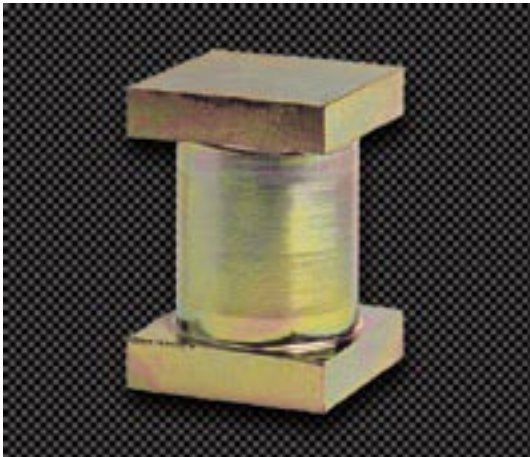
CODE	DESCRIPTION
7/04	Eye Bolt, 12mm
7/05	Eye Bolt, 16mm
7/06	Eye Bolt, 20mm

Hinge with longer bar



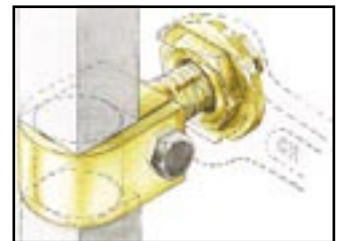
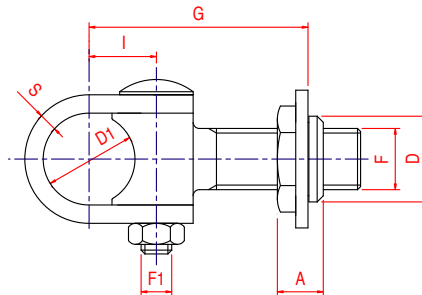
PRODUCT		d	F	G	I	I2	H	S	A
		Ø	UNI	mm					
CL 20	CT 00 20 LO	14	M 20	144	21	21	40	6	9
CL 24	CT 00 24 LO	17	M 24	140	28	24	47	6	10

Upright gate joint element



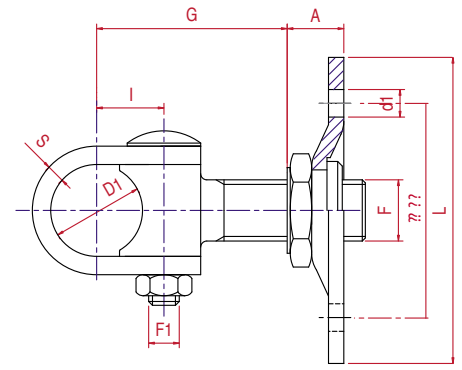
PRODUCT		D2	A	B	C
		Ø	mm		
T 30	CT 00 30 T0	28,5	35	35	55
T 35	CT 00 35 T0	33,5	40	40	60
T 40	CT 00 40 T0	38,5	50	45	65

Adjustable hinge to be welded wrought iron range



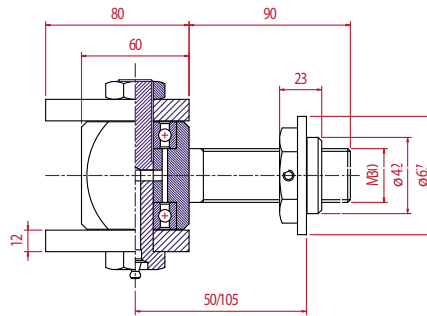
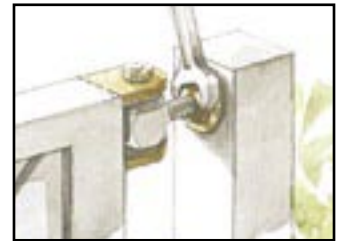
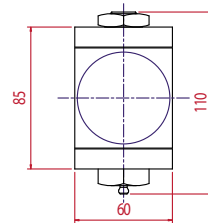
PRODUCT		D	D1	F	F1	G	I	S	A
		Ø		UNI		min/max	mm		
CR 30	CT 00 30 CR	28	30	M 20	M 10	50-78	21	6	15
CR 35	CT 00 35 CR	34	35	M 24	M 10	57-88	26	6	17
CR 40	CT 00 40 CR	36	40	M 30	M 12	70-110	34	6	24

Adjustable hinge with plate wrought iron range



PRODUCT	L	D1	F	F1	G min/max	I	S	A	d1	INT.
		Ø	UNI		mm				Ø	mm
CR 30 P CT 00 30 CP	100	30	M 20	M 10	39-63	21	6	20	9	70
CR 35 P CT 00 35 CP	120	35	M 24	M 10	45-74	26	6	20	11	90

Hinge for heavy gates with two bearings and lubricating pin



PRODUCT	CAPACITY
CR 60 CT 00 60 R0	6M
	680